







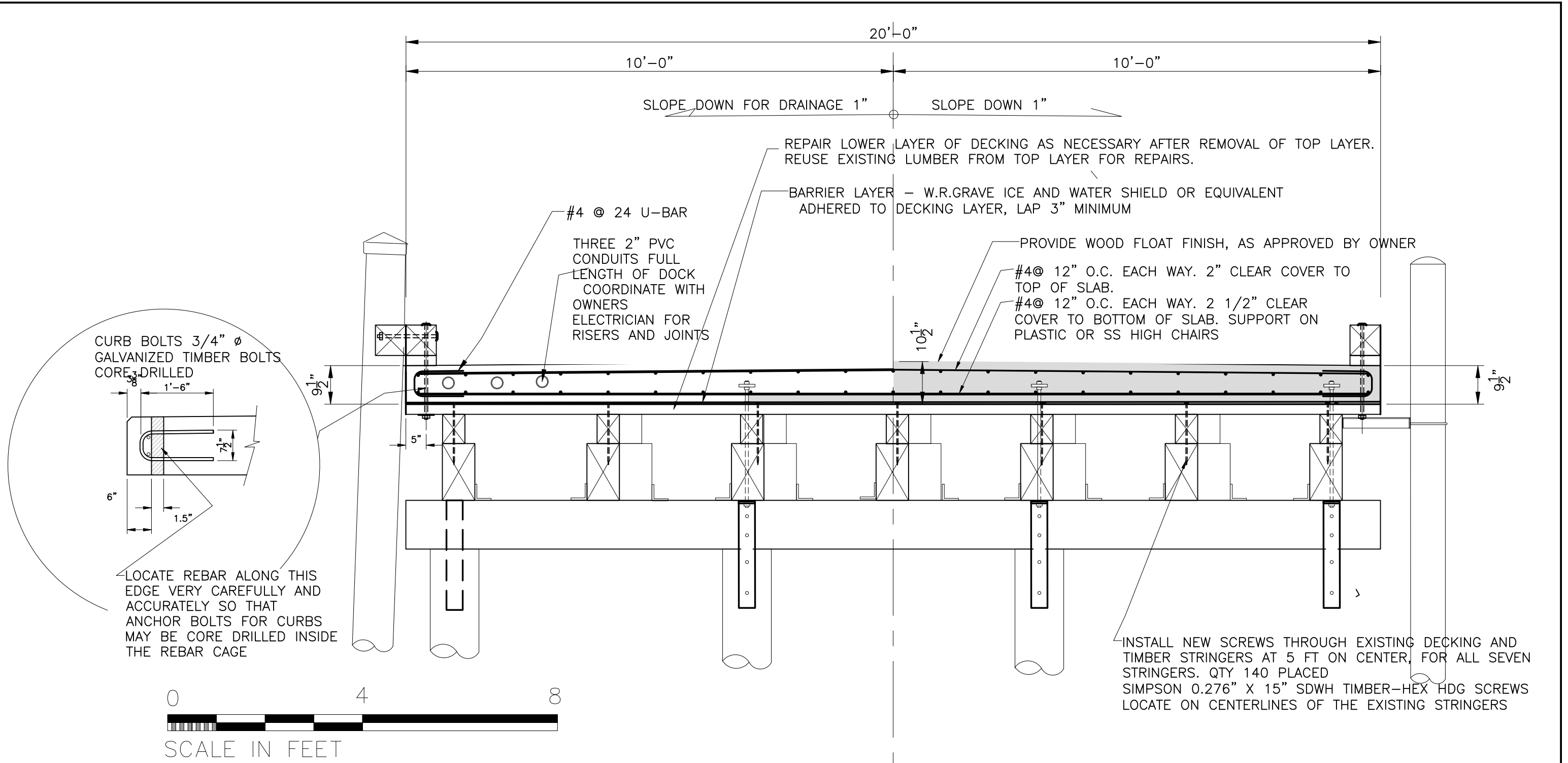




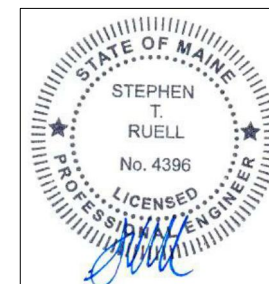
11A17 - FULL SCALE

08/25/2025 10:51:11 AM C:\Users\str\OneDrive\Documents\11A17 - FULL SCALE\11A17 - FULL SCALE.dwg

11A17 - FULL SCALE



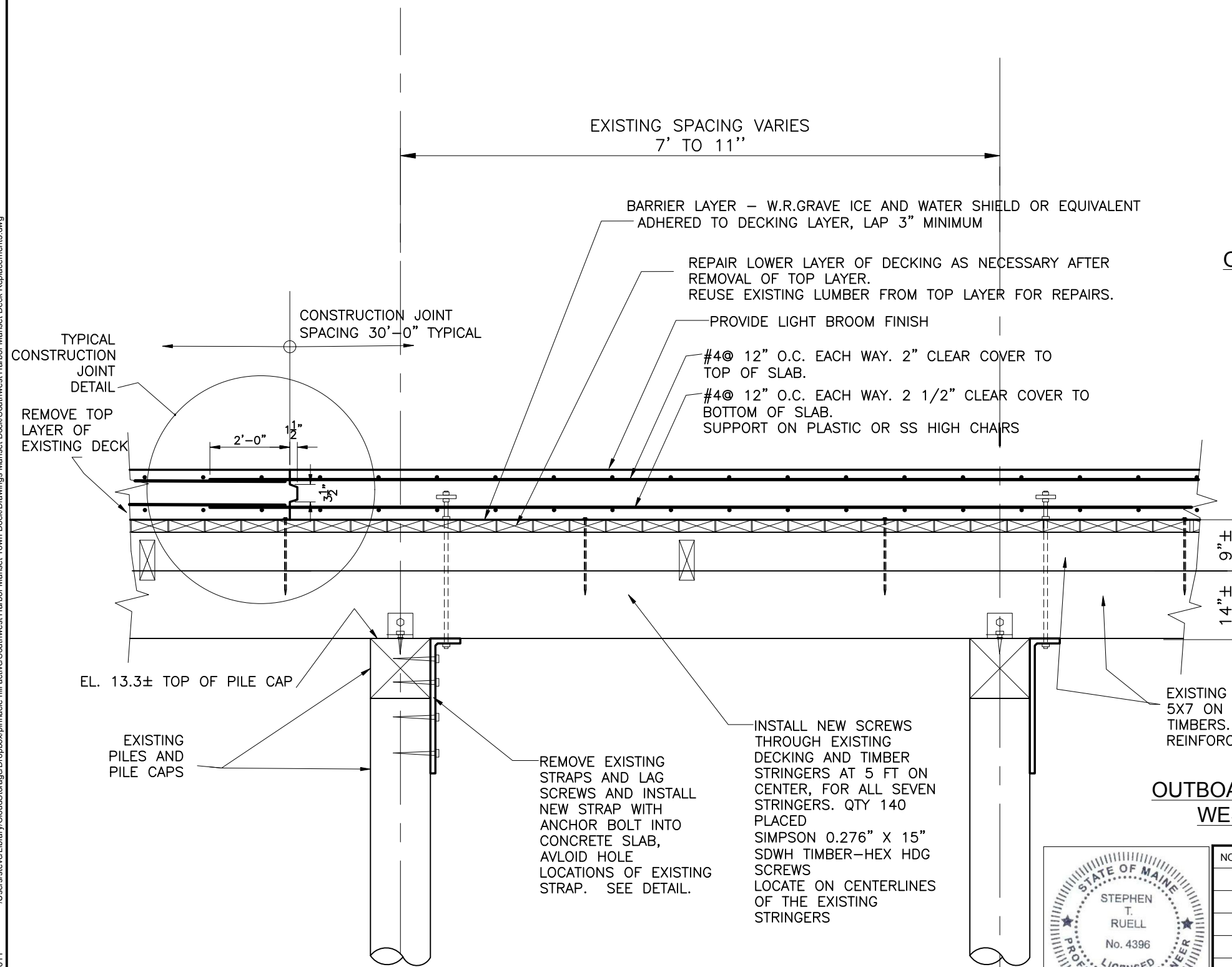
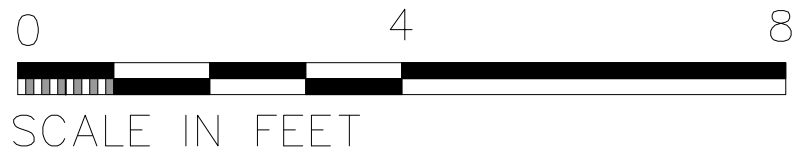
TYPICAL DECK SLAB TRANSVERSE SECTION



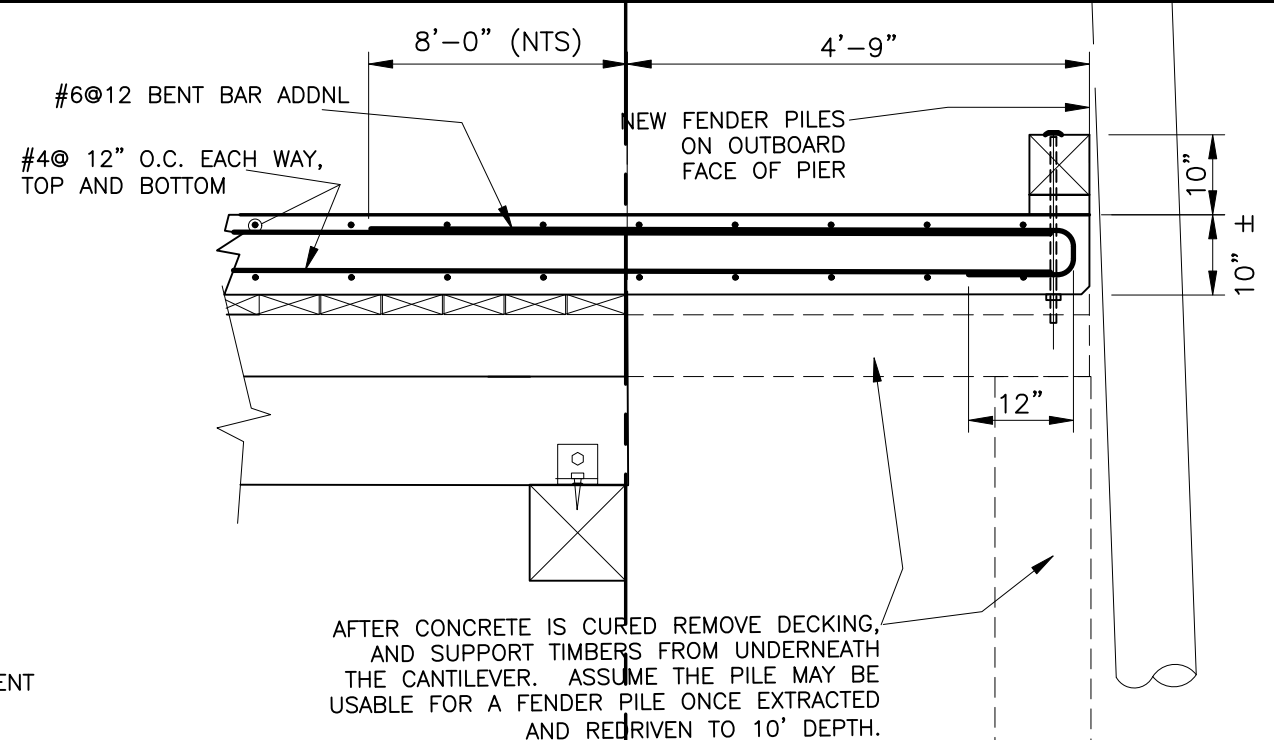
NO.	REVISION	DATE

DESIGNED BY -	Town of Southeast Harbor, Maine MANSET TOWN DOCK
DRAWN BY STR	
DATE REVISED 4-4-2025	DECK REPLACEMENT SLAB DETAILS OPTION A - CAST-IN-PLACE CONCRETE
<b>Pinnacle Hill Engineering</b> PinnacleHillEngineering@gmail.com	33 Pinnacle Road Canaan, ME 04924
	A-3 REV. 0

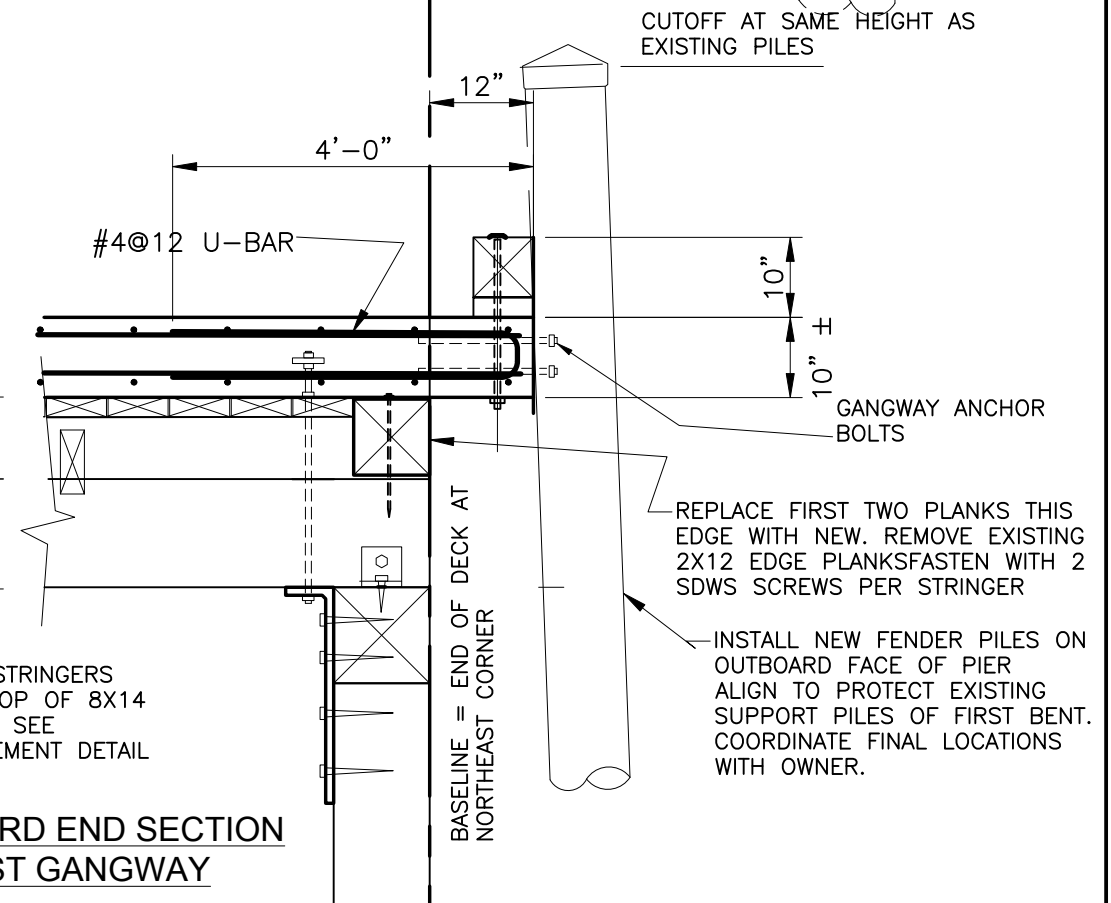
11A17 - FULL SCALE  
 05/25/2024 10:58:10 AM  
 C:\Users\jruell\OneDrive\Documents\11A17 - FULL SCALE\11A17 - FULL SCALE.dwg  
 11A17 - FULL SCALE  
 05/25/2024 10:58:10 AM



LONGITUDINAL DECK SLAB TYPICAL SECTION



OUTBOARD END SECTION - EAST GANGWAY



OUTBOARD END SECTION WEST GANGWAY



NO.	REVISION	DATE	DESIGNED BY

DRAWN BY STR  
 DATE REVISED 4-4-2024  
**Pinnacle Hill Engineering**  
 PinnacleHillEngineering@gmail.com

Town of Southeast Harbor, Maine  
MANSET TOWN DOCK

DECK REPLACEMENT SLAB DETAILS  
OPTION A - CAST-IN-PLACE CONCRETE

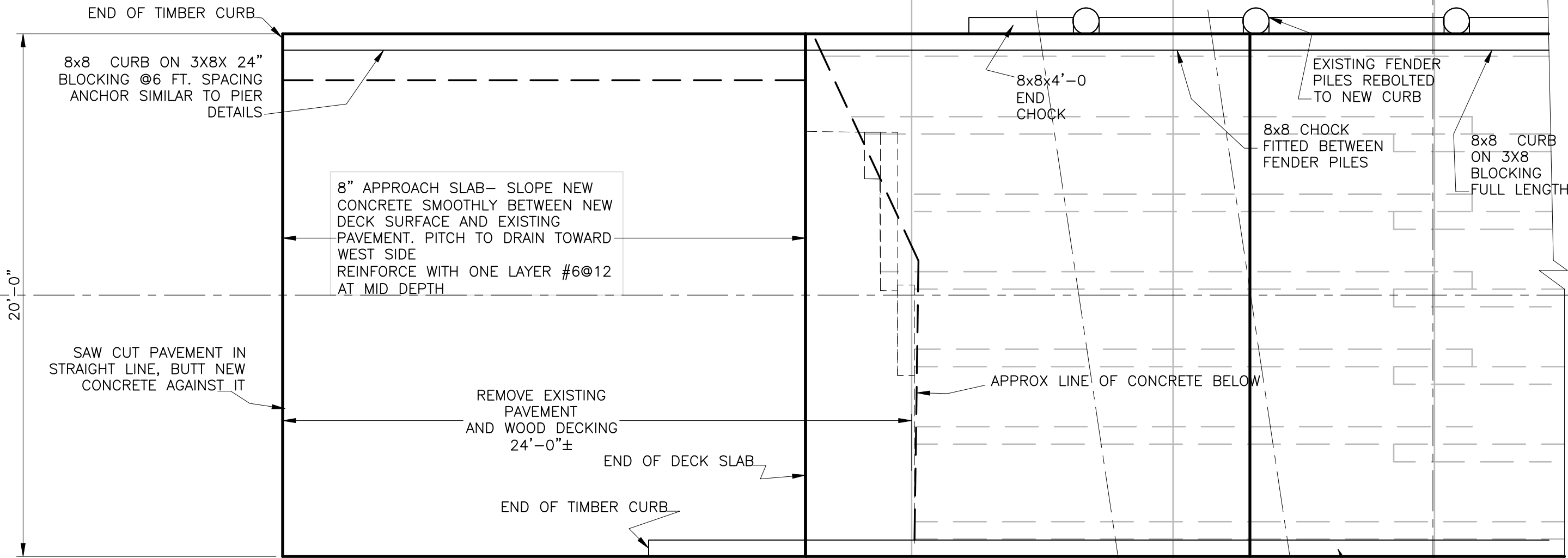
33 Pinnacle Road  
Canaan, ME 04924

A-4  
REV. O

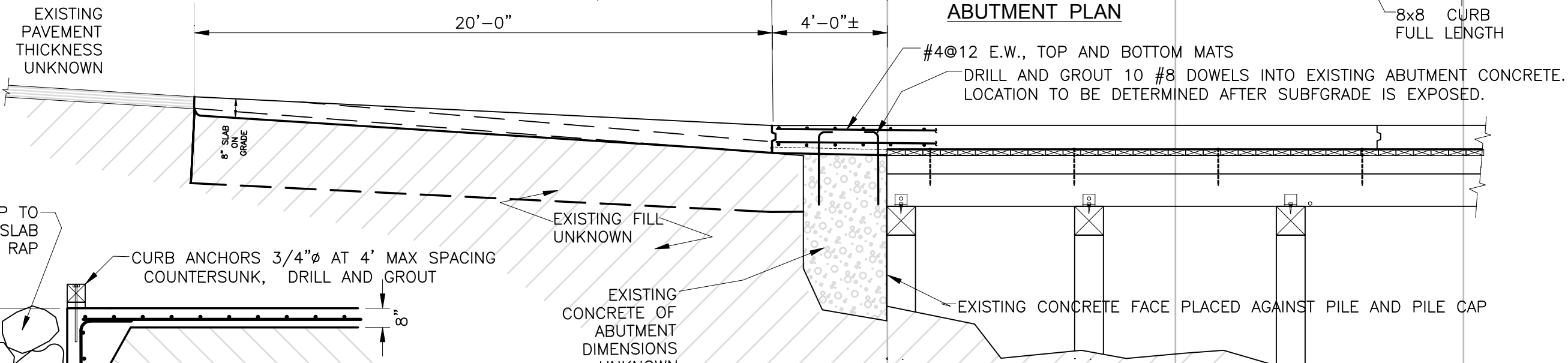
1:1/1" = FULL SCALE

\\PDS\SERVER\DWG\PROJECTS\2025\25042\25042.DWG

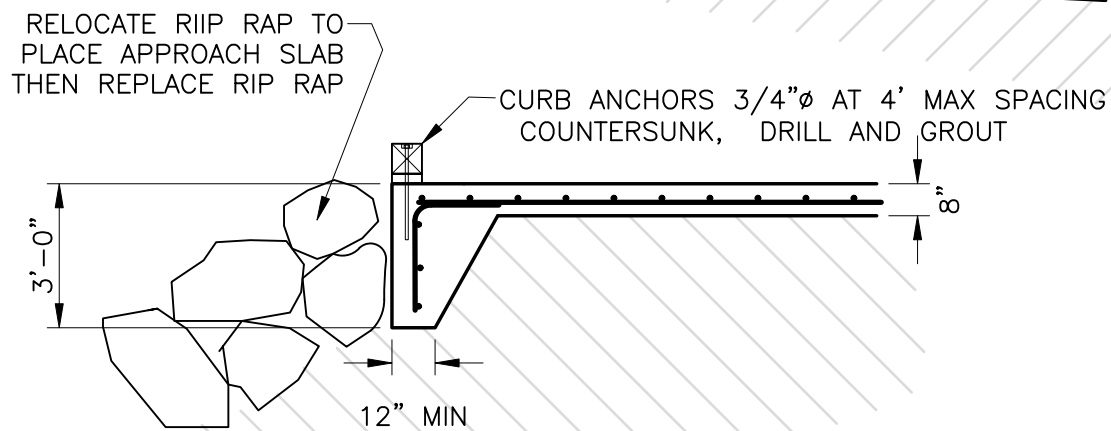
AU:LC:AU:2011



ABUTMENT PLAN



ABUTMENT SECTION



SECTION ALONG WEST SIDE OF APPROACH SLAB



NO.	REVISION	DATE

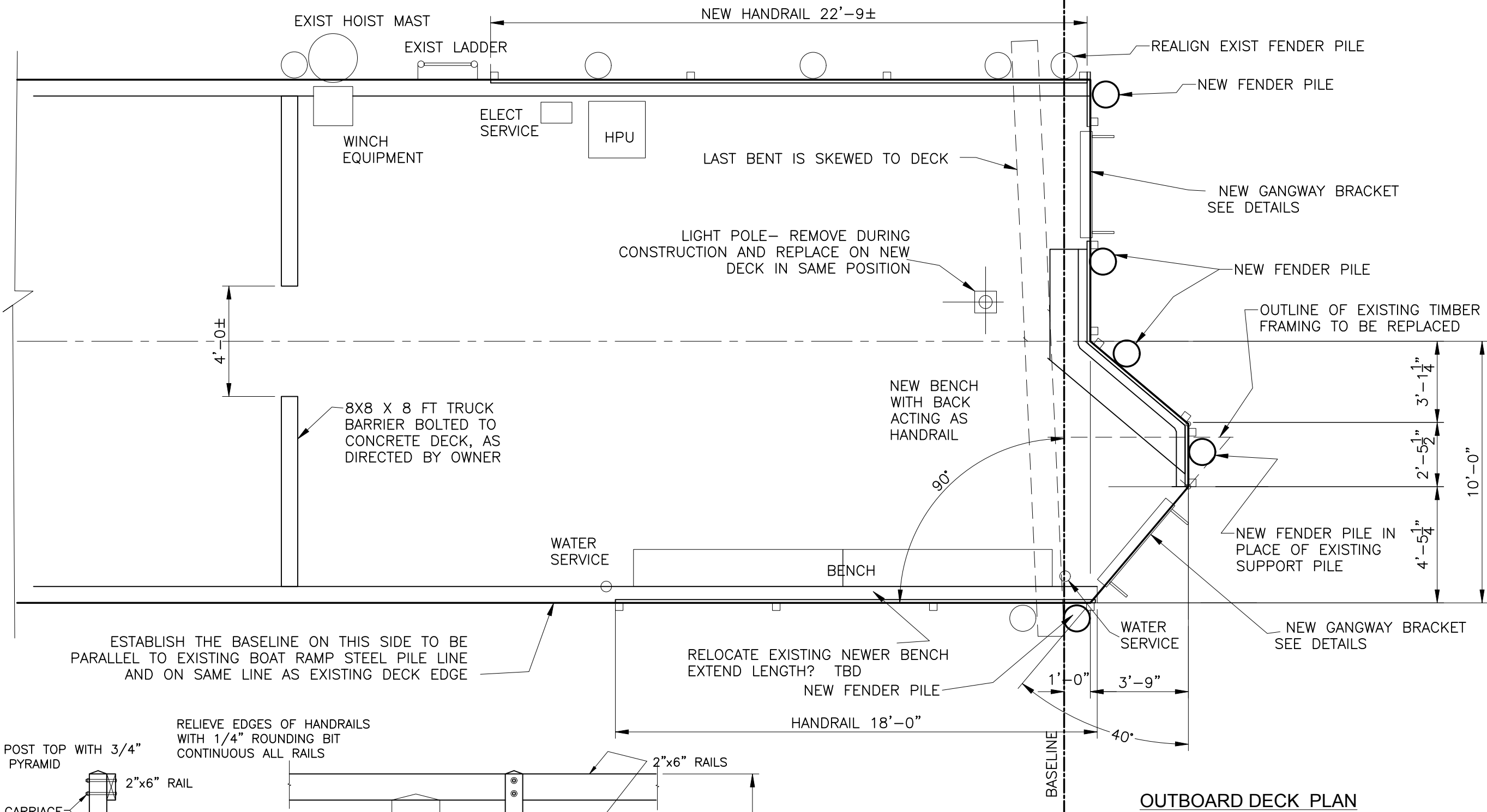
DESIGNED BY  
-  
DRAWN BY  
STR  
-  
DATE REVISED  
4-4-2025

Town of Southeast Harbor, Maine  
MANSET TOWN DOCK  
DECK REPLACEMENT ABUTMENT  
OPTION A - CAST-IN-PLACE CONCRETE

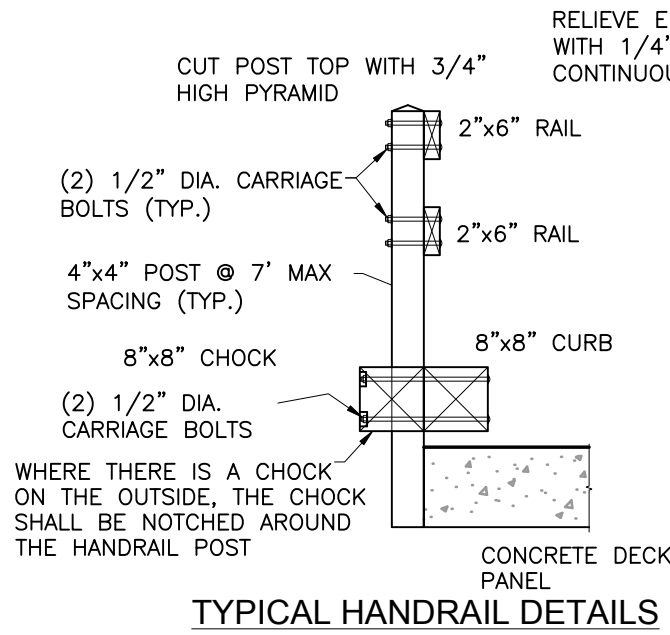
**Pinnacle Hill Engineering**  
33 Pinnacle Road  
Canaan, ME 04924  
PinnacleHillEngineering@gmail.com

A-5  
REV. 0

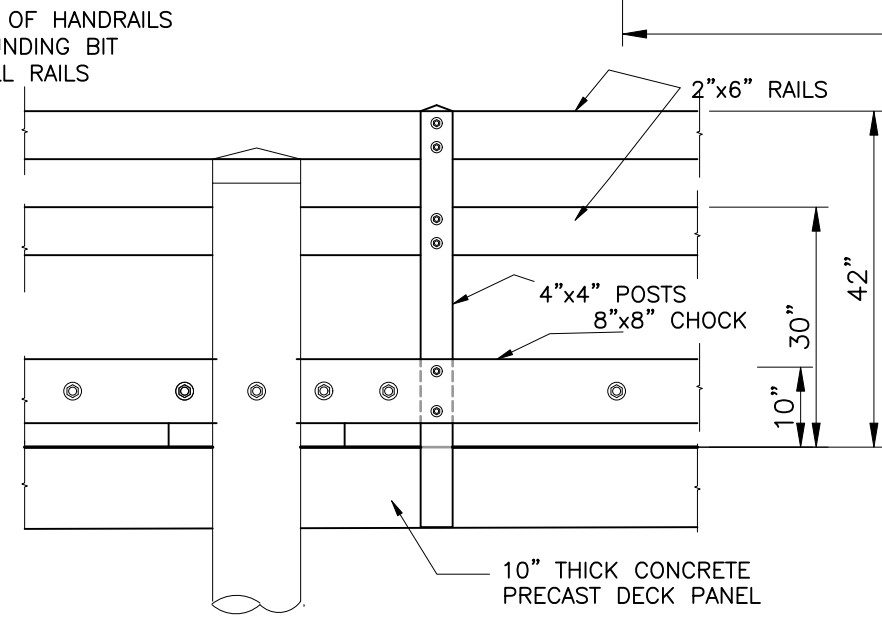




OUTBOARD DECK PLAN



TYPICAL HANDRAIL DETAILS



NO.	REVISION	DATE	DESIGNED BY

DESIGNED BY DRAWN BY DATE REVISED 4-4-2025	<b>Town of Southeast Harbor, Maine</b> <b>MANSET TOWN DOCK</b> <b>DECK REPLACEMENT OUTBOARD PLAN</b> <b>OPTION A - CAST-IN-PLACE CONCRETE</b>	<b>Pinnacle Hill Engineering</b> 33 Pinnacle Road Canaan, ME 04924 PinnacleHillEngineering@gmail.com	<b>A-6</b> REV. 0
---	--	---	----------------------

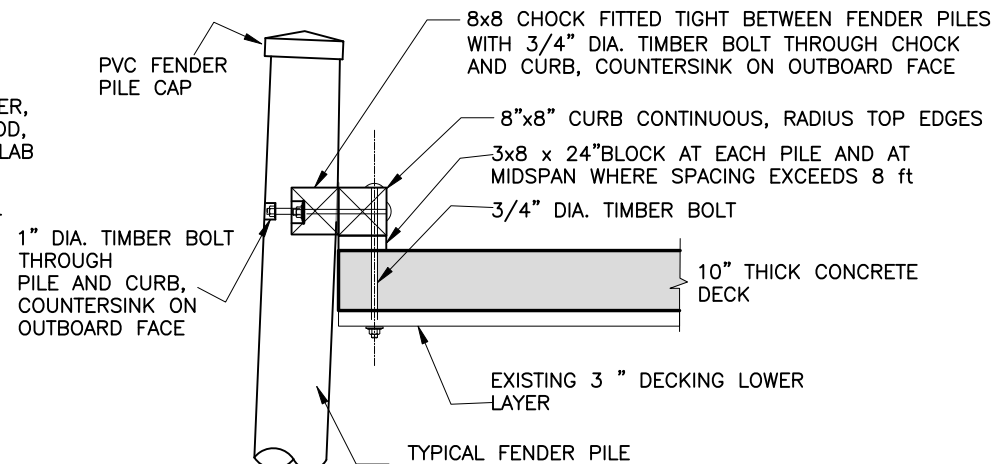
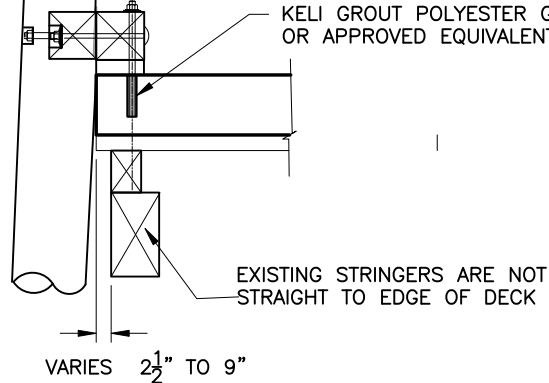


11A17 - FULL SCALE

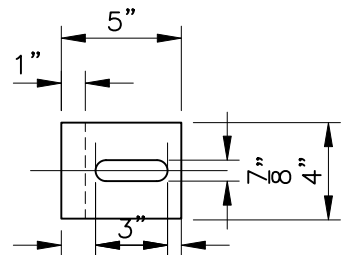
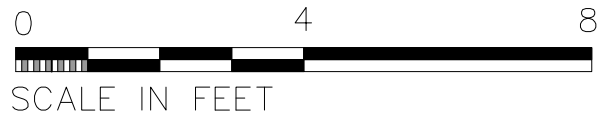
0 4 8 SCALE IN FEET

AU 10-20-2011

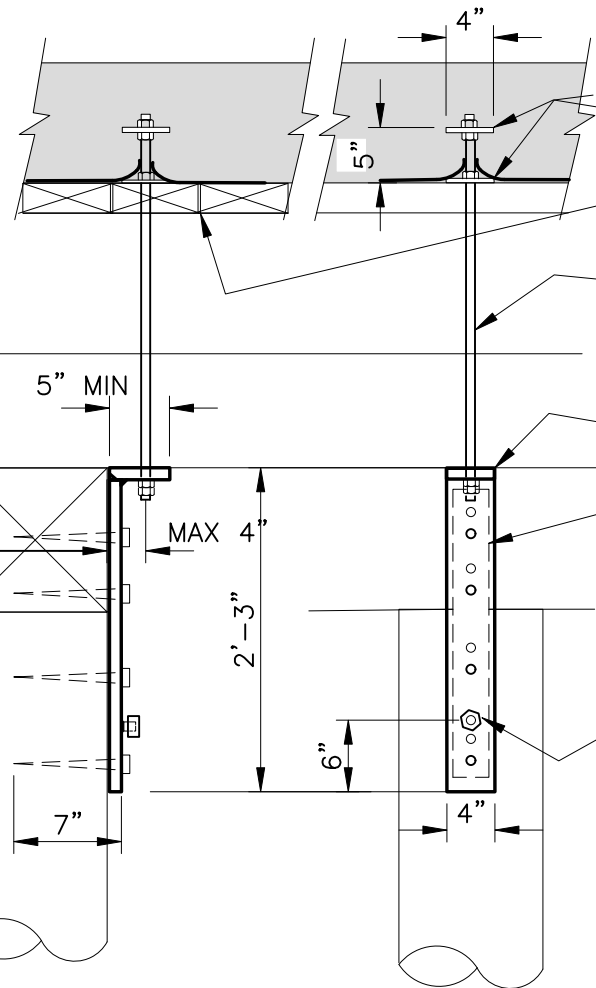
WHERE THE NEW BOLTS ARE BLOCKED BY THE STRINGERS BELOW, THE BOLTS CAN BE CHANGED TO AN ADHESIVE ANCHOR OF THE SAME DIAMETER, USE SS OR HDG THREADED ROD, DRILLED AND GROUTED INTO SLAB MINIMUM 6". KELKEN CONSTRUCTION SYSTEMS KELI GROUT POLYESTER GROUT OR APPROVED EQUIVALENT



WEST SIDE FENDER PILE AND CURB DETAIL (East side curb mounting as shown but without fenders and chocks)



DECK ANCHORAGE L-BAR TOP VIEW



CONTRACTOR MAY WISH TO REMOVE A PLANK OR MAKE AN OPENING DURING INSTALLATION OF RODS TO LOCATE PILE CAP BELOW, LOCATE DRILL  
DRILL THROUGH DECK AND STRINGERS TO INSTALL 1"Ø X 32" ALL-THREAD ROD, BOTTOM NUTS SHALL BE NYLOCK NUTS OR DOUBLE NUTTED  
HOT DIPPED GALVANIZED A36 STEEL AT SOME PILE LOCATIONS THE ROD MAY BE OUTSIDE THE STRINGERS

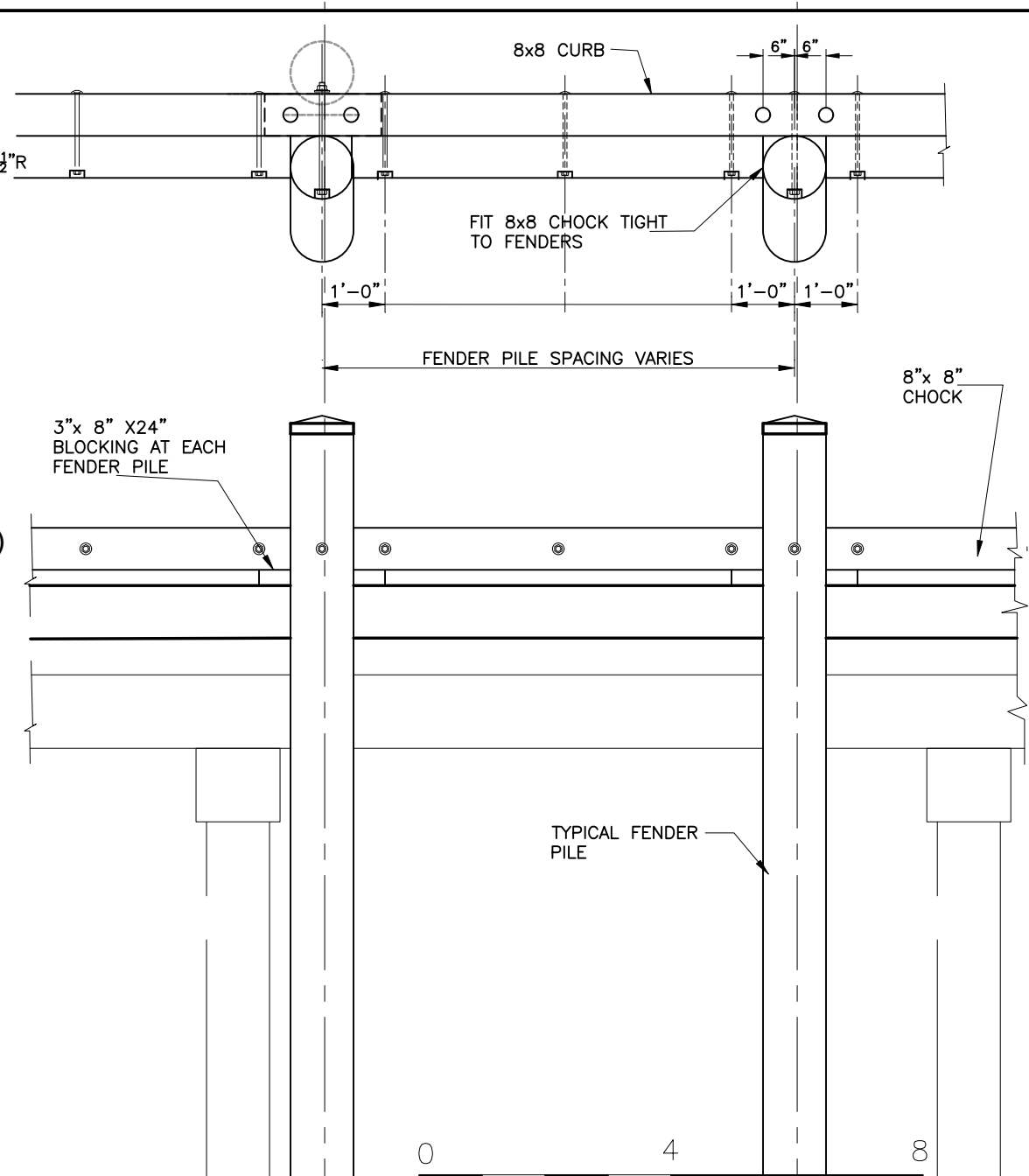
REPLACE EXISTING 3"x1"x24" STEEL BAR AND LAG SCREWS WITH NEW 4"x1" BENT OR WELDED L-BAR  
FOUR NEW LAG SCREWS 7"x 3/4"Ø. LOCATE NEW FASTENERS TO MISS THE EXISTING FASTENER HOLES BY AT LEAST 1 1/2". ALL PARTS HOT DIP GALVANIZED (HDG)

ZINC CAP NUT TRUMBULL 6 OZ. 364-1006 OR EQUAL MOUNTED ON 3/4"-10 NC WELDED THREADED STUD

CONTRACTOR SHALL TRY TO CENTER THE NEW PLATE ON THE PILE BUT AT SOME LOCATIONS THE PILE IS NOT BELOW THE STRINGER, SO THE ROD WILL NOT GO THROUGH THE STRINGERS.

INSTALL THIS DETAIL ON ALL PILES EXCEPT FIRST TWO BENTS, TOTAL OF 88 ASSEMBLIES REQUIRED.

DECK ANCHORAGE ASSEMBLY DETAIL



FENDER PILE PLAN AND ELEVATION



NO.	REVISION	DATE

DESIGNED BY -	Town of Southeast Harbor, Maine MANSET TOWN DOCK
DRAWN BY STR	
DATE REVISED 4-4-2025	DECK REPLACEMENT FENDER DETAILS OPTION A - CAST-IN-PLACE CONCRETE
<b>Pinnacle Hill Engineering</b> PinnacleHillEngineering@gmail.com	33 Pinnacle Road Canaan, ME 04924 A-8 REV. 0





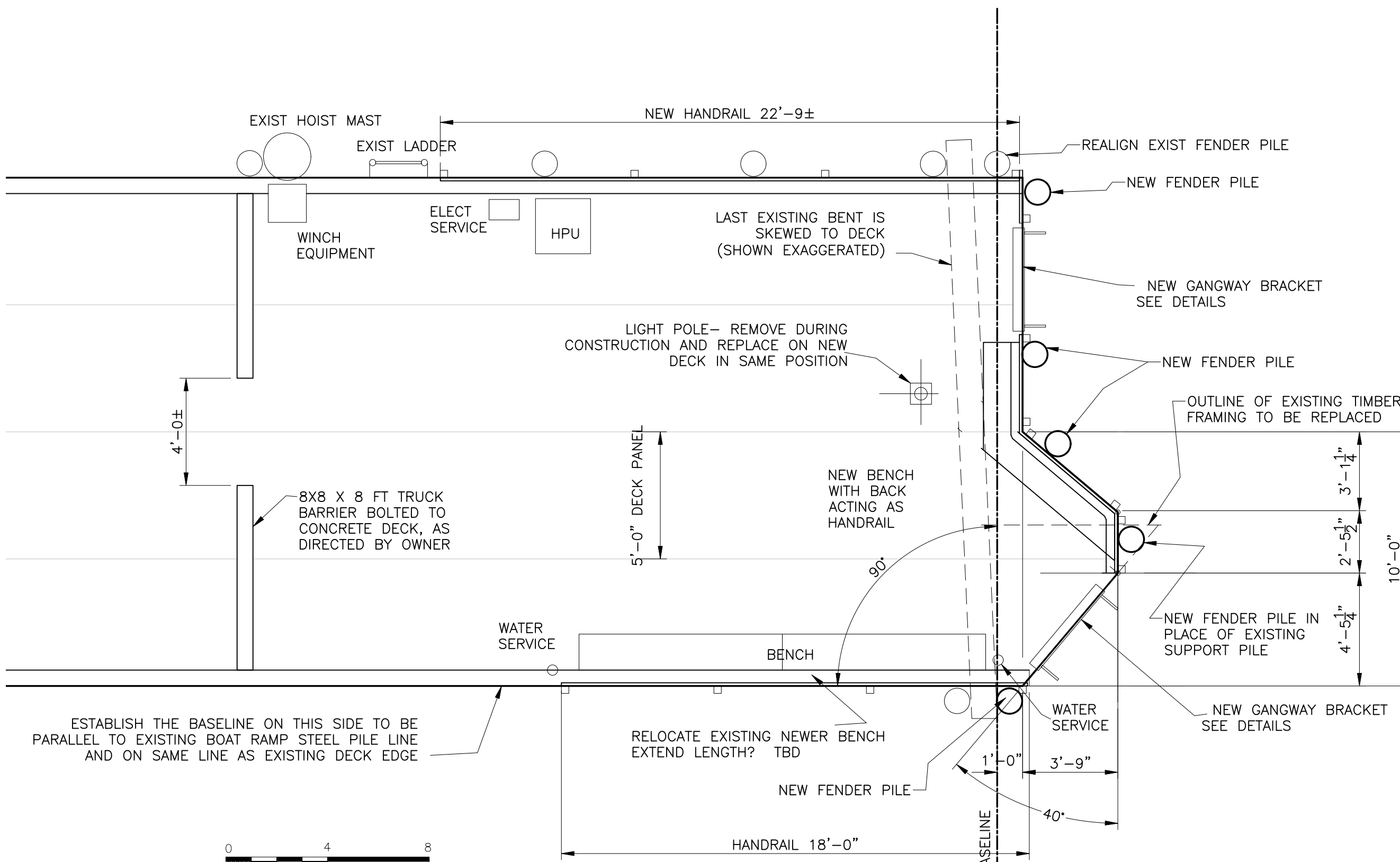












ESTABLISH THE BASELINE ON THIS SIDE TO BE PARALLEL TO EXISTING BOAT RAMP STEEL PILE LINE AND ON SAME LINE AS EXISTING DECK EDGE



**PARTIAL PLAN - OUTBOARD END OF DECK**



NO.	REVISION	DATE	DESIGNED BY	Town of Southeast Harbor, Maine MANSET TOWN DOCK
			DRAWN BY STR	
			DATE REVISED 4-4-2025	DECK REPLACEMENT OUTBOARD PLAN OPTION B - PRECAST CONCRETE
			<b>Pinnacle Hill Engineering</b> 33 Pinnacle Road Canaan, ME 04924 PinnacleHillEngineering@gmail.com	<b>B-6</b> REV. 0





